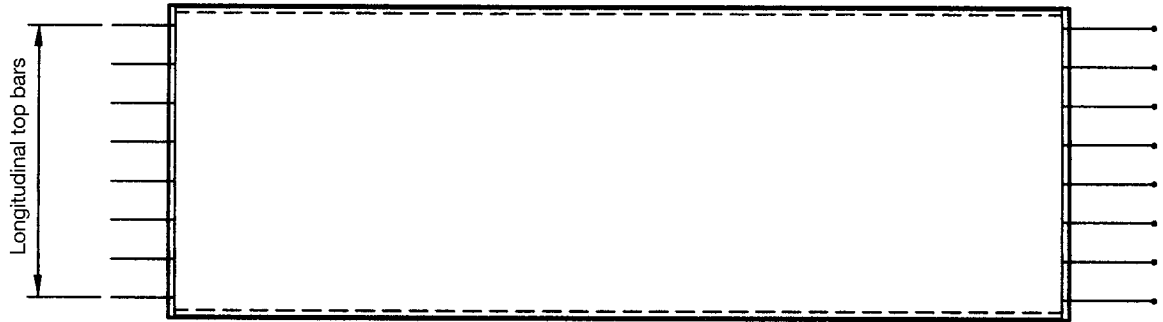
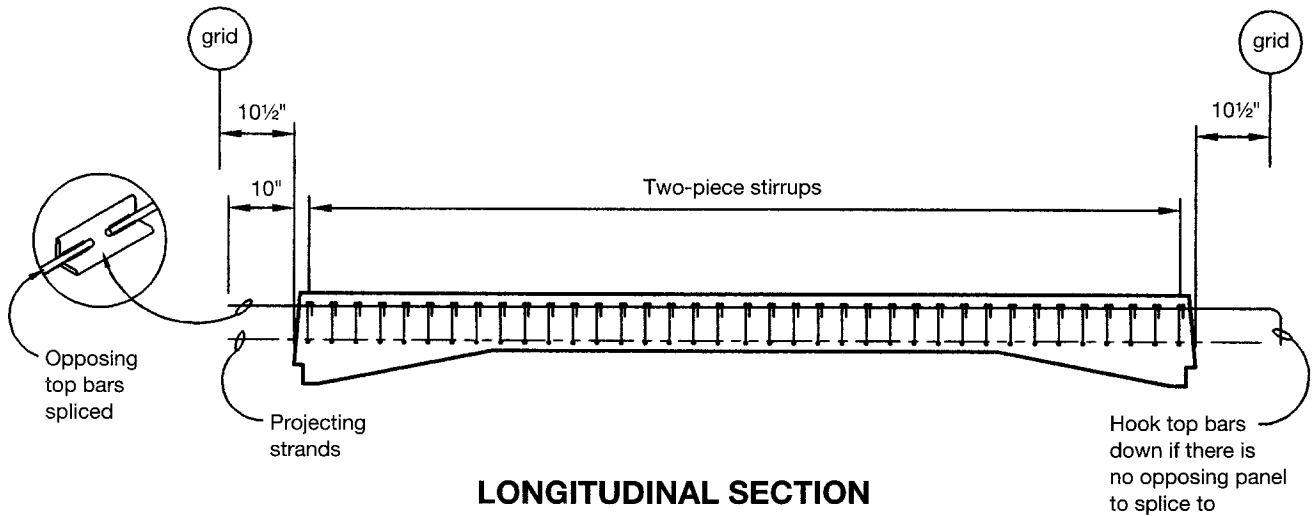




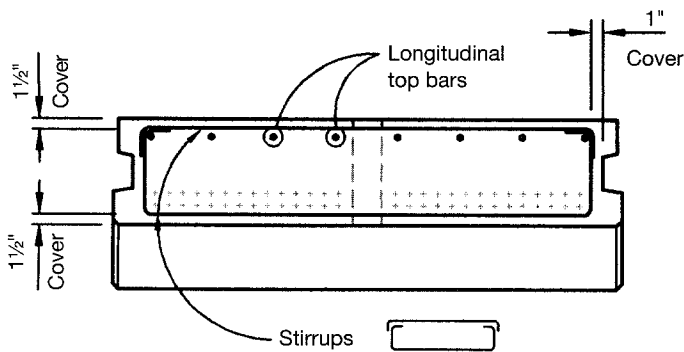
TYPICAL REINFORCING



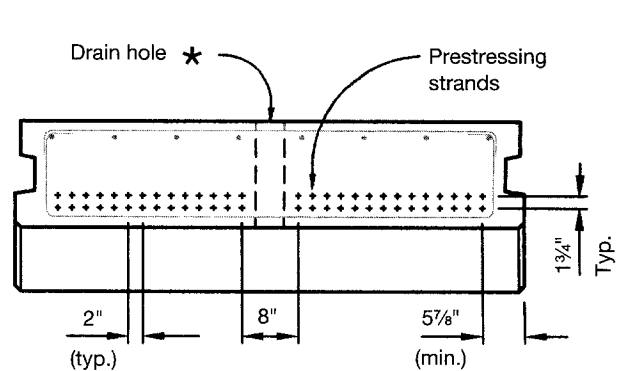
PLAN



LONGITUDINAL SECTION



TRANSVERSE SECTION AT MIDSPAN

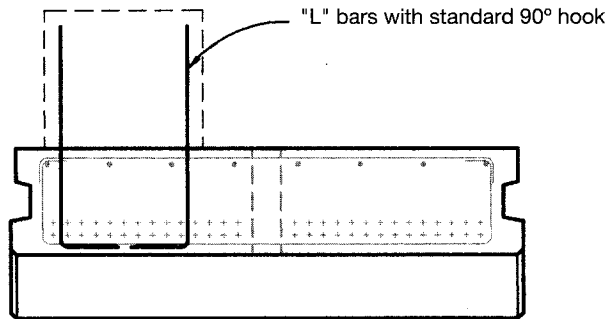


STANDARD STRAND LOCATIONS

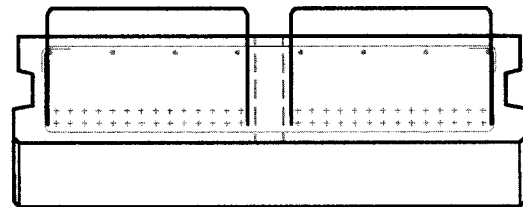
★ For odd numbers of strand, offset drain from centerline to maintain symmetrical strand pattern



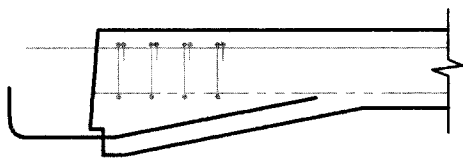
SPECIAL REINFORCING CONDITIONS



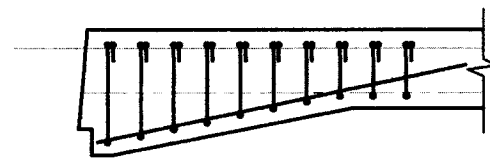
PROJECTING CURB STEEL



PROJECTING TIES



PROJECTING BOTTOM BARS



FULL-DEPTH STIRRUPS AT HAUNCH WITH CORNER BARS