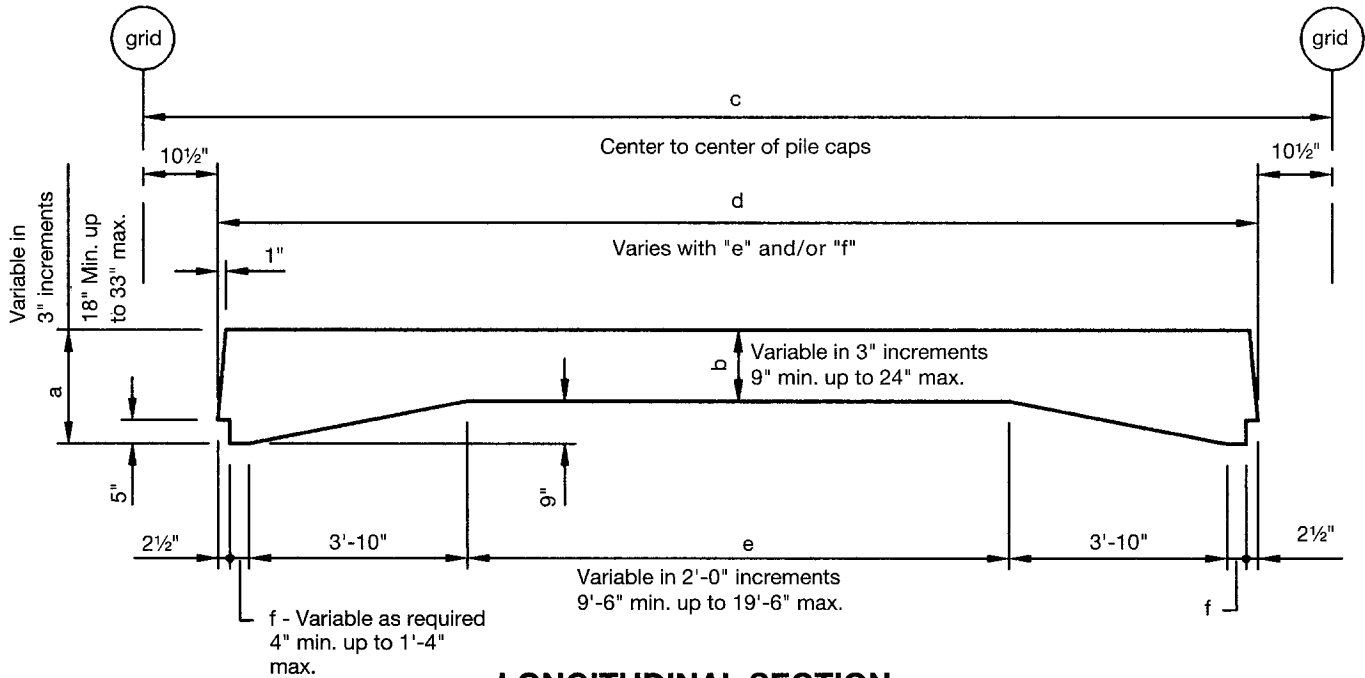
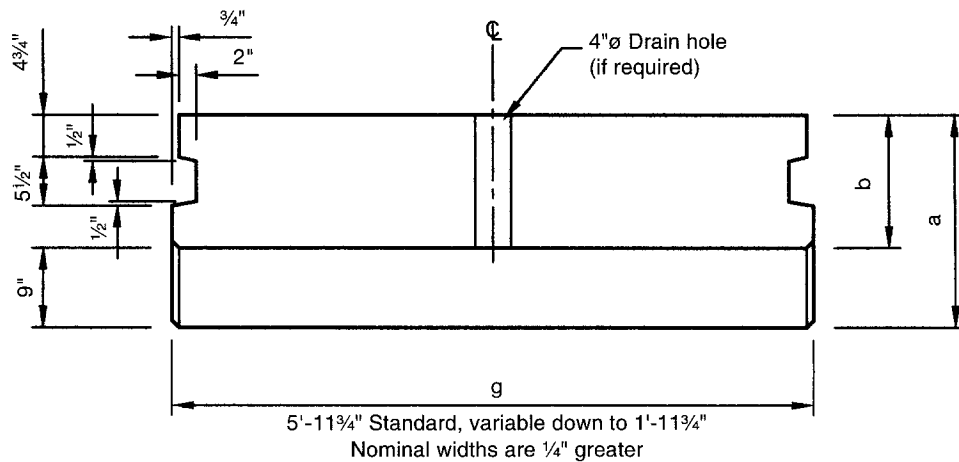




DIMENSIONS FOR DETAILING



LONGITUDINAL SECTION



TRANSVERSE SECTION AT MIDSPAN

	a End depth	b Midspan depth	c Pilecap spacing	d Panel length	e Midsection length	f Bearing length	g Panel width
Typ. 24" deep deck for pilecaps @ 20'-0" o.c.	24"	15"	20'-0"	18'-3"	9'-6"	0'-4"	5'-11 3/4"
Minimum	18"	9"	20'-0"	18'-3"	9'-6"	0'-4"	1'-11 3/4"
Increment	3"	3"	as req'd	as req'd	2'-0"	as req'd	as req'd
Maximum	33"	24"	30'-0"	28'-3"	19'-6"	1'-4"	5'-11 3/4"

Note: It is most economical to limit size changes in any project to a minimum.