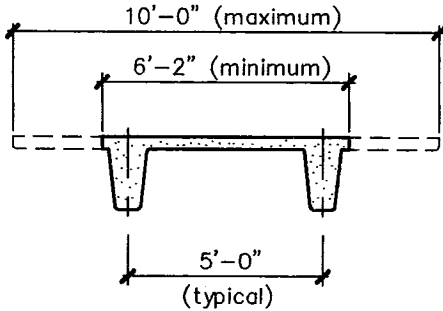




## NON-STANDARD WIDTHS

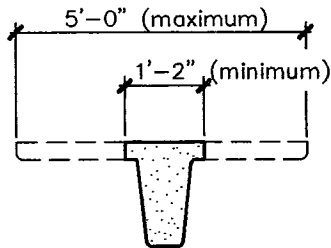
The double tee flange widths noted in this document represent nominal spacings. Actual flange widths are typically 1/4" less than the nominal spacing to provide 1/4" joints between adjacent flanges.



### SPECIAL REPETITIVE WIDTHS

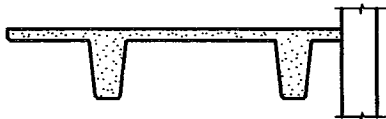
Occasionally it is desirable to use special-width Double Tees (for instance, 7'-6" Double Tee to fit a 15'-0" module). The Double Tee is constructed to permit relatively free variations of the flange width from 6'-2" to 10'-0", with the 5'-0" web spacing remaining fixed.

The square foot price of special-width Double Tees will be greater than the standard 10'-0" Double Tees, since the labor and material costs per lineal foot are nearly constant.



### SPECIAL SYMMETRICAL HALF-WIDTHS

Half-width elements are available for difficult framing problems, such as filling in a space at the end of a long run of modular Double Tee elements. These single web fill-in elements can be fabricated in widths ranging from 1'-2" to 5'-0".



### SPECIAL ASYMMETRICAL WIDTHS

Special-width, asymmetrical tees can be made by forming back part of one flange. These units are useful as fill-in elements at the edge of a framed area.