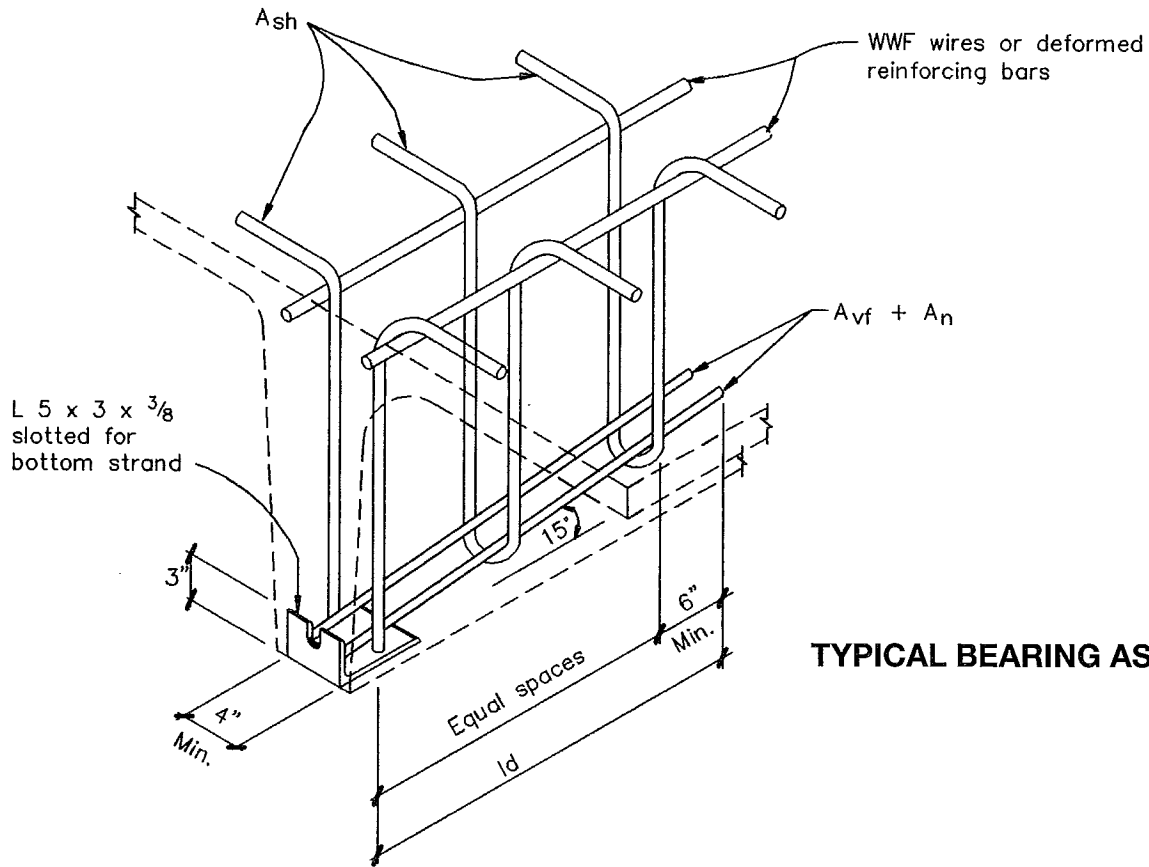
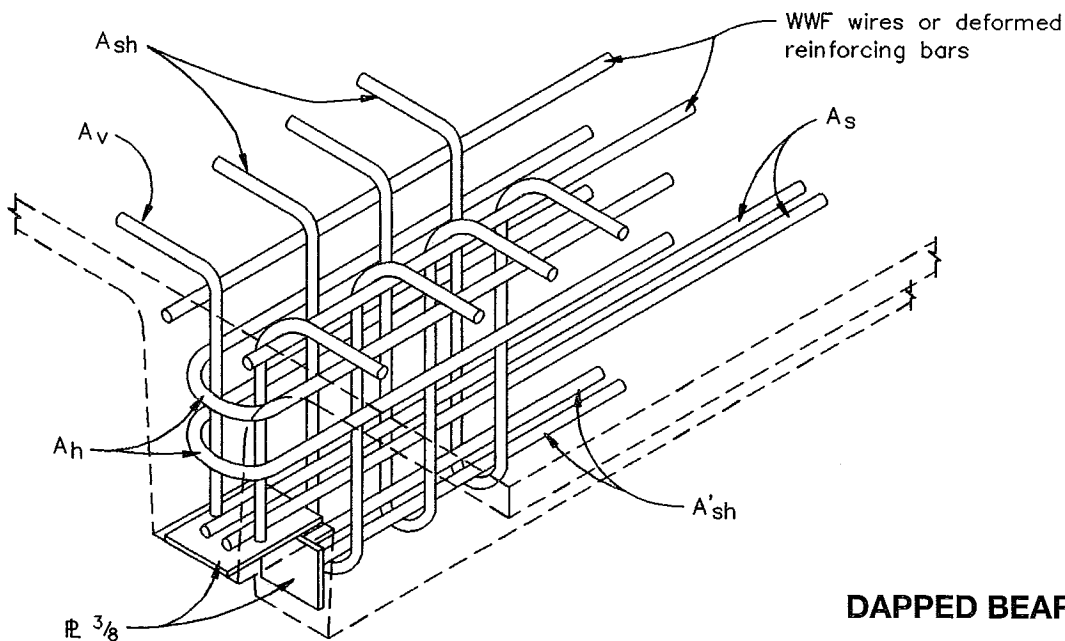




END BEARING ASSEMBLIES AND REINFORCEMENT



TYPICAL BEARING ASSEMBLY



DAPPED BEARING ASSEMBLY

Note: See Reference 3 on page 3 for definition of notation, design procedures and limitations.