



MANUFACTURING TOLERANCES

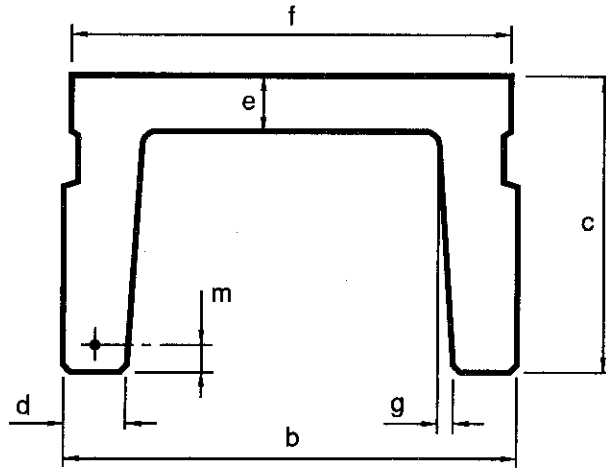
- | | | | |
|---|-------------------------------------|--|---------------------------|
| a = Length | ±1 in. | r = Position of bearing plates | ±1/2 in. |
| b = Width (overall) | ±1/4 in. | s = Tipping and flushness of plates | ±1/4 in. |
| c = Depth | ±1/4 in. | t = Tipping and flushness of | |
| d = Stem width | ±1/8 in. | bearing plates | ±1/8 in. |
| e = Flange thickness | +1/4 in., -1/8 in. | u = Position of sleeves cast in | |
| f = Flange width | ±1/4 in. | stems | ±1 in. in both horizontal |
| g = Stem draft | ±1/4 in. | | and vertical plane |
| h = Variation from specified flange | | v = Position of inserts | ±1/2 in. |
| squareness or skew | ±1/8 in. per | w = Position of handling devices | |
| | 12 in. width, 1/2 in. max. | Parallel to length | ±6 in. |
| i = Variation from specified end | | Transverse to length | ±1 in. |
| squareness or skew | | x = Local smoothness any | |
| Greater than 24 in. depth | ±1/8 in. per | surface | ±1/4 in. in 10 ft. |
| | 12 in., 1/2 in. max. | (does not apply to top deck surface left rough to | |
| 24 in. or less depth | ±1/4 in. | receive a topping or to visually concealed surfaces) | |
| j = Sweep (variation from straight line | | | |
| parallel to centerline of member) | | | |
| Up to 40 ft. member length | ±1/4 in. | | |
| 40 to 60 ft. member length | ±3/8 in. | | |
| Greater than 60 ft. member length | ±1/2 in. | | |
| k = Camber variation from design | | | |
| camber | ±1/4 in. per 10 ft., ±3/4 in. max.* | | |
| l = Differential camber between | | | |
| adjacent members of the same | | | |
| design | 1/4 in. per 10 ft., 3/4 in. max.* | | |
| m = Position of tendons | | | |
| Individual | ±1/4 in. | | |
| Bundled | ±1/2 in. | | |
| n = Location of harp point | ±6 in. | | |
| o = Position of blockouts | ±1 in. | | |
| p = Size of blockouts | ±1/2 in. | | |
| q = Position of plates | ±1 in. | | |

* For members with a span-to-depth ratio approaching or exceeding 30, the stated camber tolerance may not apply.

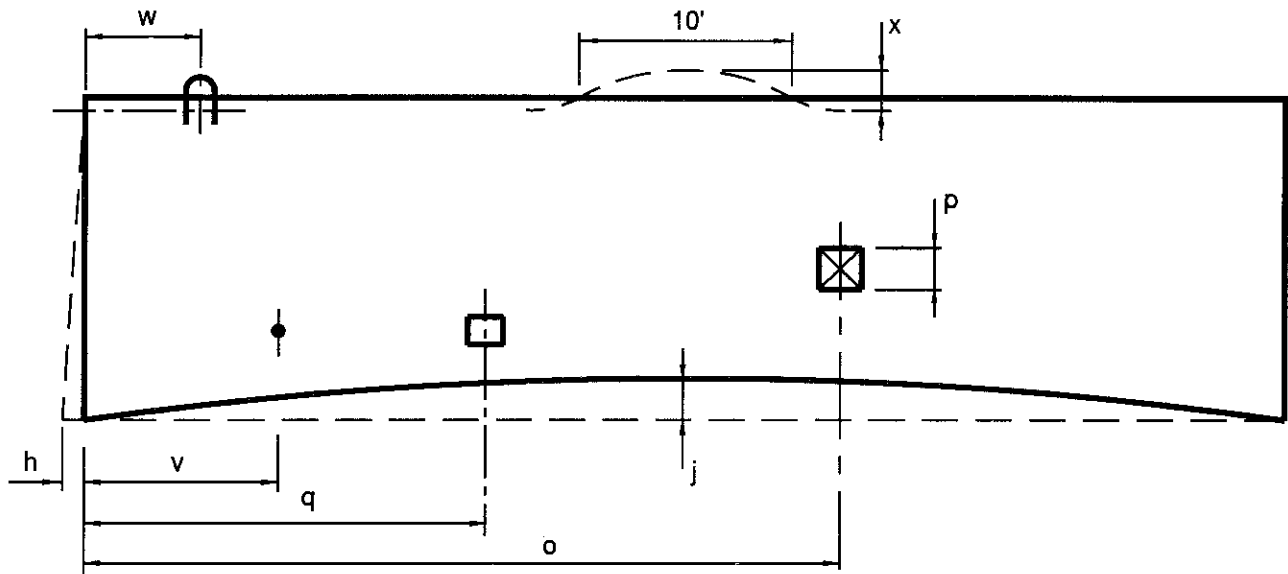
REFERENCE: PCI MNL-116, 3rd Edition



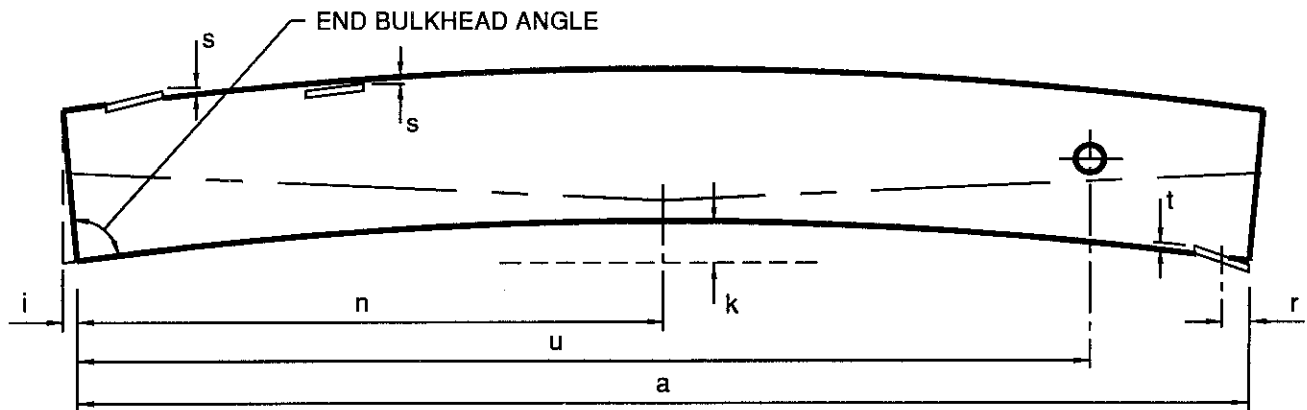
MANUFACTURING TOLERANCES



SECTION



PLAN



ELEVATION